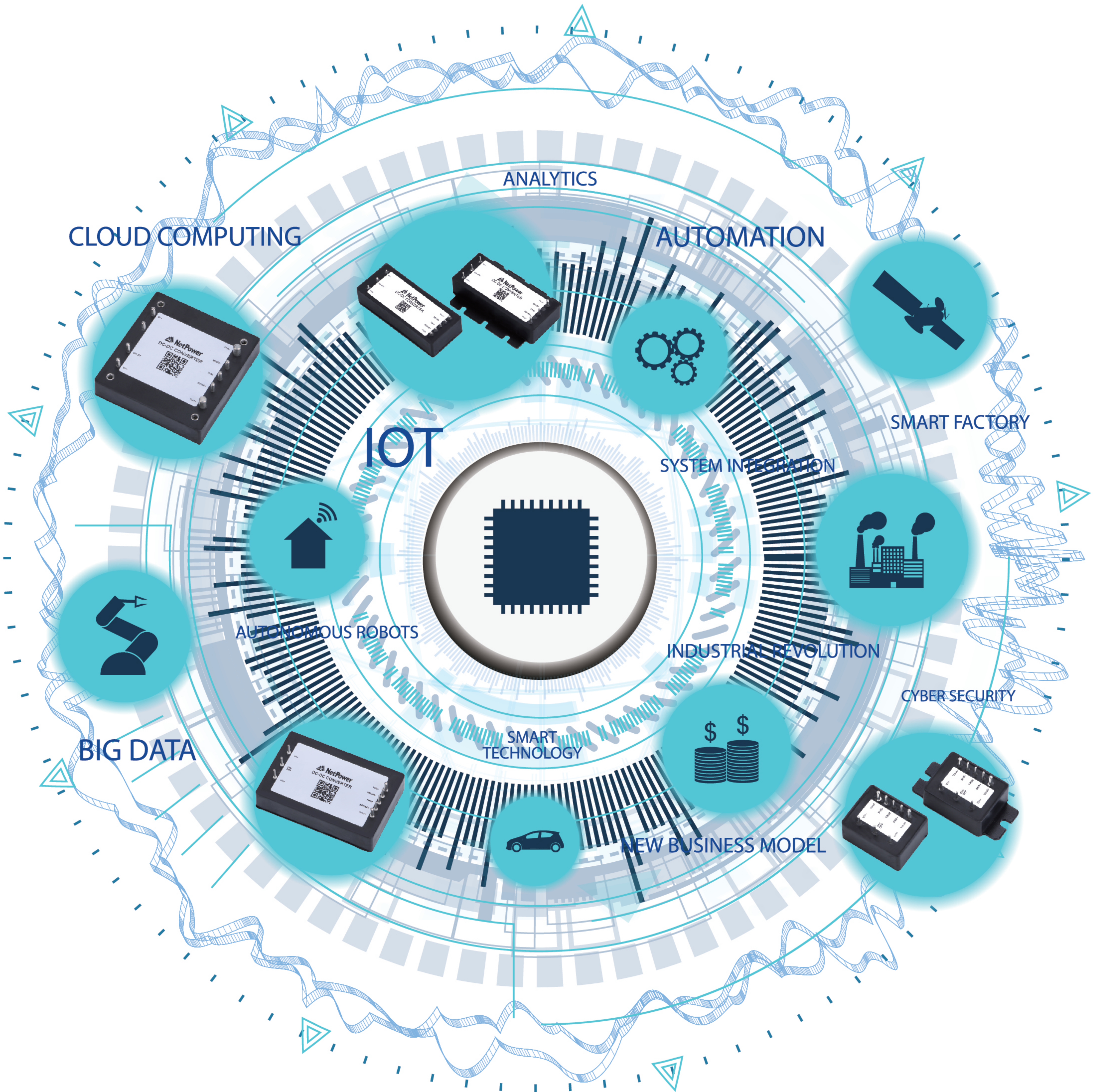
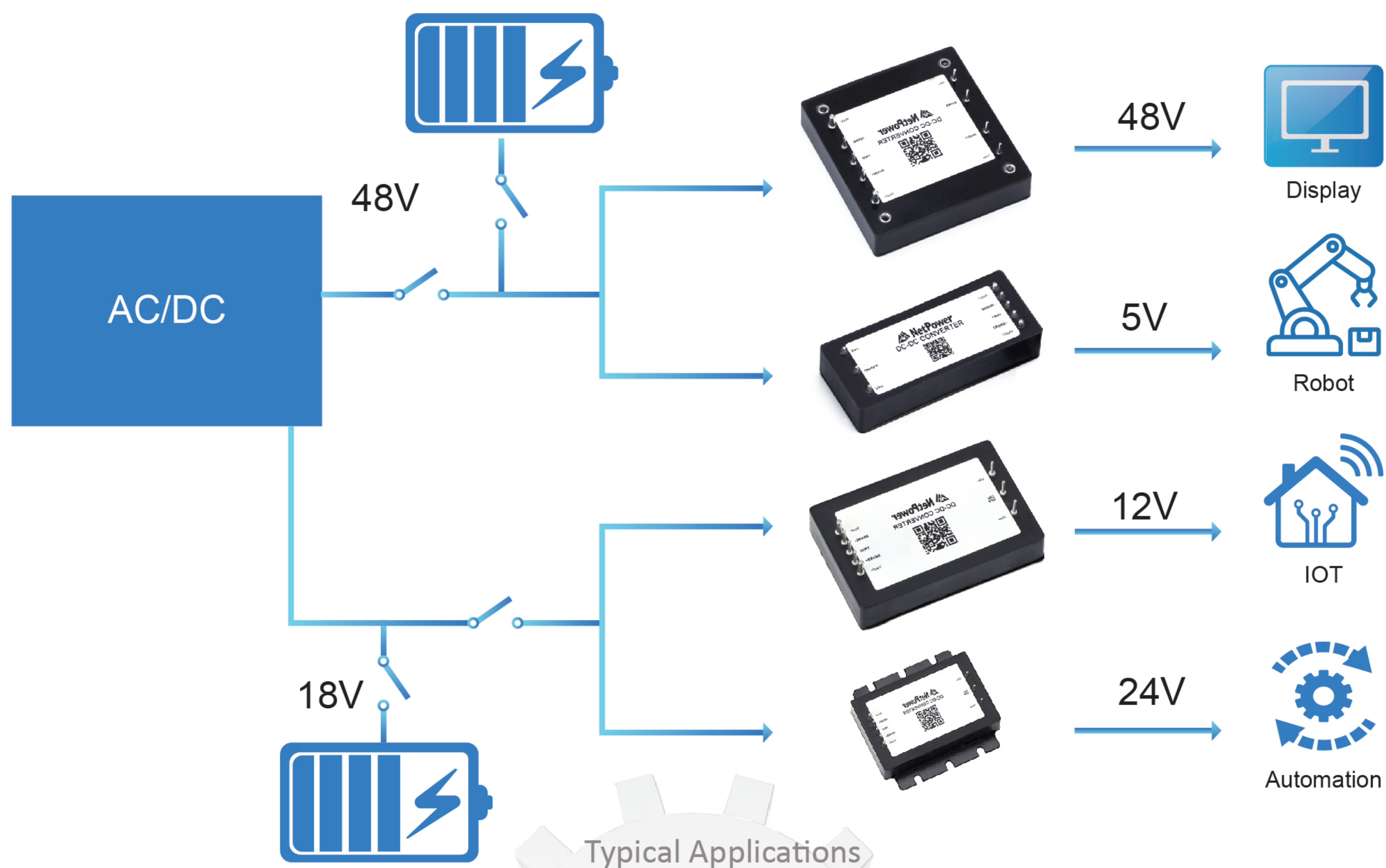


Industrial Power Solutions



INDUSTRIAL 4.0



Features:

- ◆ High efficiency, high density, high reliability and high output voltage regulation
- ◆ Wide input voltage ranges 9-36V, 9-75V, and 18-75V
- ◆ Output voltage: 3.3V, 5V, 12V, 48V
- ◆ Output power range from 1W to multi-kilowatts
- ◆ Open frame, baseplate, conformal coating and encapsulated are optional
- ◆ Over-voltage, over-current, short-circuit, and over temperature protections
- ◆ Industrial standard package from 1/32 brick to 1/2 brick
- ◆ Wide operating temperature range
- ◆ Millions of Hours of MTBF
- ◆ UL62368 recognized